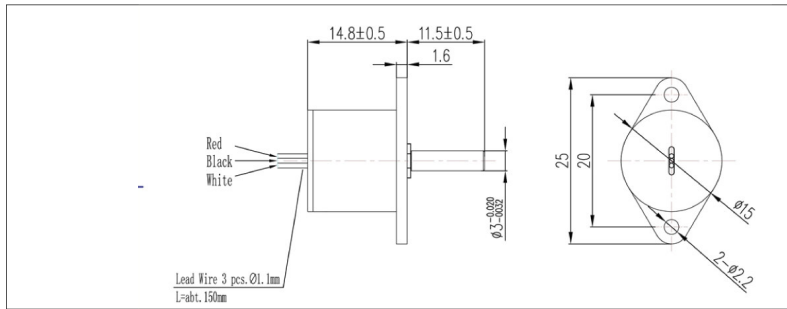


PWM - interface, Mini size without endstop
15mm Ø housing flange, Hall CMOS technology
Pulse width modulated output
High performance metal case
Two ball bearings

1-Supply (Red); 2-Output (White); 3-Ground (Black) : **For OCW**

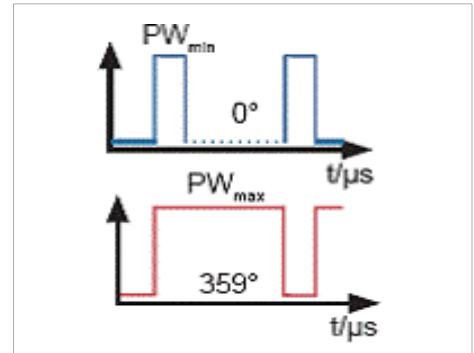


For full range of Rotary Sensor refer -
www.rotacol.info/rotamec.pdf

FUNCTION PRINCIPLE

The determination of angular position and signal generation is realised by an intelligent CMOS Hall sensor. A diametrical polarised magnet induces its magnetic field into the sensor. It rotates and provides a conditioned signal to the integrated electronic.

PWM OUTPUT



PWM is a pulse width modulated signal based on constant carrier frequency which defines high to low ratio. The ratio between high & low corresponds to the signal characteristics. It is in a fixed relation to the angle. Generally, for further signal processing, no A/D converter is required because many microcontrollers already have PWM input. The contactless sensor electronic guarantees a steady signal level and a very low linearity error of 0.5%. With supply voltage of 5V ± 10% output signal of 5V PWM at the sensor is provided.

Default Version :

15 mm housing, flange mounting, 360° Electrical & Mechanical angle CW, 3 leads multistrand round wire 0.15 mtr long

ELECTRICAL CHARACTERISTICS

Electrical angle	360° (default)	
Electrical speed (Max.)	160 rpm	
Resolution	4096 step (12 bit)	
Independent linearity tolerance	± 0.5%	
Signal type	Supply voltage	Output signal
SPWM	5 V ± 10%	PWM
Supply current	< 16 mA	
Update rate	1 ms	
PWM frequency	200 Hz default	

MECHANICAL CHARACTERISTICS

Mechanical angle	360° (continuous)	
Shaft diameter and length (FMS)	3 mm Ø X 11.5 mm	
Mechanical speed (Max.)	4000 rpm	
Rotational life	~ 20 million rotations	
Operating torque (approx.)	0.05 to 0.1 Ncm	
Operating temperature range	- 30 to +80° C	
Protection	IP 65	
Weight	15 g	
Interconnection	3 leads multistrand round wire 0.15 mtr long	

MATERIAL

Housing	Aluminium anodized
Shaft	Stainless Steel
Bearing	2 ball bearings

ORDERING INFORMATION

Housing diameter	PWM output	Miniline RotaCol	Flange (shaft 3 mm Ø)	Signal	Pulse Width modulated output	Electrical angle	Direction of rotation	Output connection
15	W	MC	F	SPWM	360° continuous clockwise	CW	OCW	3 leads multistrand round wire 0.15 mtr long
15	W	MC	F	SPWM	O360	CW	OCW	

Example with description - **15W MCF SPWM O360 CW OCW** -15 mm diameter, PWM output, Miniline RotaCol, Flange mount (Shaft 3 mm Ø), PWM output, 360° clockwise, 3 leads multistrand round wire 0.15 mtr long

MegAuto KG

Am Tummelsgrund 48
 D 01156 Dresden, Germany
 Tel : +49 351 6587894 0 Fax : +49 351 65878949
 Email : info@megauto.de / www.megauto.de
 Skype : megautodd / whats app: +491781244294

Sensall - MegAuto International

Div of Sendap Precision Electronics Pvt Ltd.
 3, Electronic Sadan - I, MIDC, Bhosari, Pune - 411026, INDIA
 Tel : +91 8669617194, +91 8669617195
 Email : mail@megacraft.net / www.sensall.info
 Skype : sendapimc / whats app: +91 8669617198



Please note: The specification and information in this datasheet cannot consider all special demands that are caused by the application. Because of this, they are no general description of the properties of the product. Megacraft does not assume any responsibility for damages due to improper application of our products. The user has to ensure on his own, that the products used are suitable for his application. Megacraft does not warrant the reproducibility of published information. The specifications can be changed any time without notice.